

Installation manual.

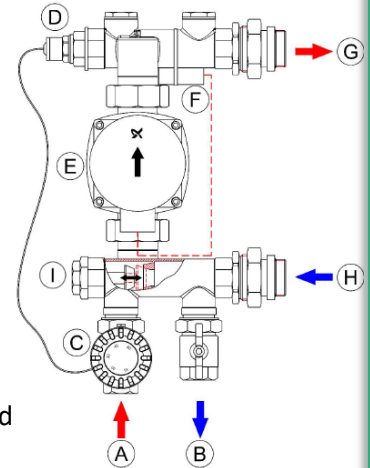
Pumpunit LTV

1. Connect the flow-side of the manifold to position G
2. Connect the return-side of the manifold to position H
3. Connect the primary inlet to position A and the primary return to position A
4. Place the temperature protection F with the sensor on the flow-side of the pump unit or manifold using the Tyrap
5. Place the thermostatic head C on the thermostatic valve after removing the black cap and turn it to the lowest temperature setting
6. Slide the sensor in its pocket D and secure it with the black cap
7. Use valve I to set the mixing ratio. Clockwise decreases the supply from primary inlet A

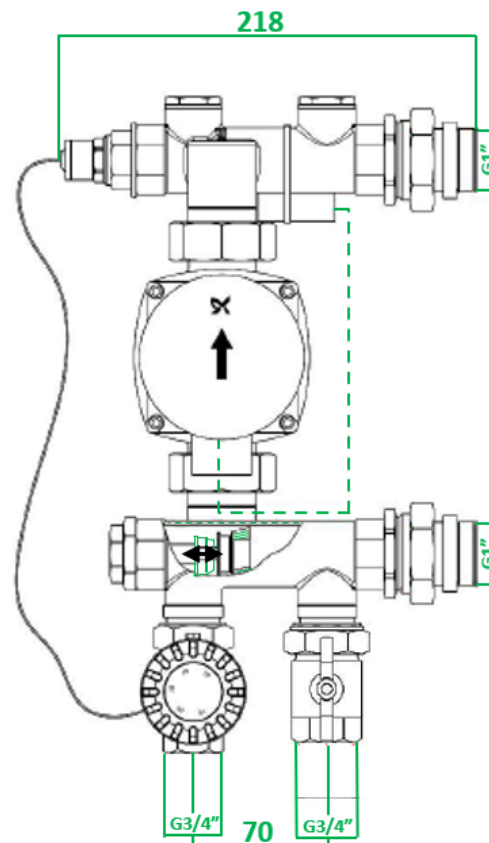
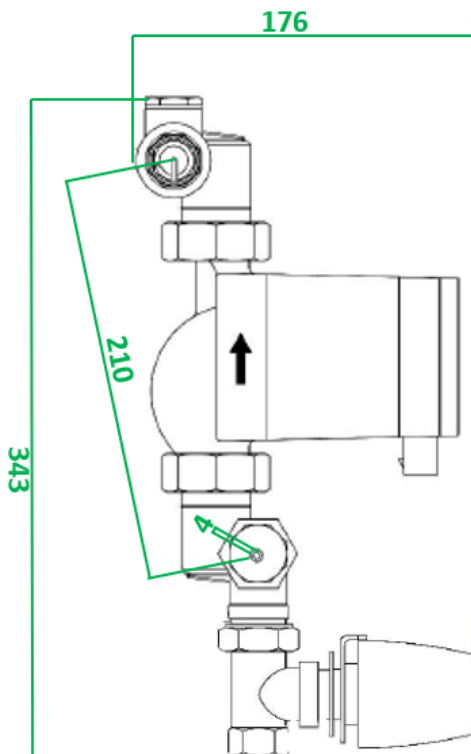
Description components.

Pumpunit

- A. Primary flow
- B. Primary return
- C. Adjustable thermostatic head
- D. Thermostatic head sensor in pocket
- E. Pump
- F. Temperature protection
- G. Flow-side of manifold
- H. Return-side of manifold
- I. Low Temperature Valve (LTV)



Dimensions Pumpunit



Use of the pumpunit

The Grundfos Alpha 2L is an energy-optimised pump with low power consumption. Position 1, 2 and 3 are constant speed settings. Setting 3 is useful for quick air venting.

Position A and B are auto-adaptive settings, the speed is variable so the pressure remains constant. Setting A or B is preferred in a floor heating system.

- Manifolds up to 7 ports use setting A
- Manifolds of 8 ports and higher use



Use of the pumpunit in combination with the SpeTile system

The time till starting the SpeTile 10 heating system after levelling with SpeeTop depends on the temperature:

- > 15 °C after 24 hrs
- < 15°C after 72 hrs

Start-up protocol (only with the SpeTile system):

When starting the heating system for the first time, the start-up protocol needs to be respected.

Set the system temperature to 20°C (approximately 5 degrees above room temperature) for 24 hours. This temperature should be indicated on the thermometer on the manifold (not included). Every 24 hrs after that, the temperature can be increased with 5 degrees till 40 degrees, after which the temperature is reduced daily by 5 degrees until 20°C. The SpeTile heating system is now ready for use.

Pressure loss diagram thermostatic valve

